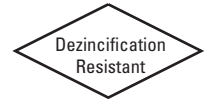


Lead-Free Bronze Ball Valves

Features: Silicon Performance Bronze® Alloy • Two-Piece Body • Full Port • Blowout-Proof Stem

Approvals: MSS SP-110/145 • NSF/ANSI 61/372-8 Commercial Hot 180°F



NSF/ANSI 61
NSF/ANSI 372

Size range: 1/4" - 2"

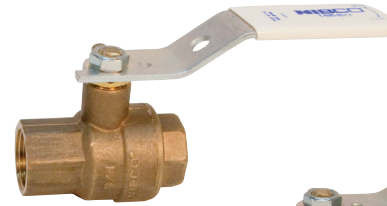
Pressure rating: 600 PSI non-shock cold working pressure

Maximum pressure / temperature: 100 PSI at 300° F

Lead-free markings: Double oval in body casting, white handle and blue hang tag

MATERIAL LIST

PART	SPECIFICATION
1. Handle	Steel, Plated
2. Nut, Handle	Steel, Plated
3. Pack Gland	Brass ASTM B 16 Alloy C36000
4. Packing, Stem	Virgin PTFE
5. Washer, Flat	430 Stainless
6. O-Ring (Stem Seal)	EPDM
7. Washer, Thrust	Reinforced PTFE
8. Stem	Silicon Bronze ASTM B371 Alloy C69300
9. Body	Silicon Bronze ASTM B283 Alloy C69300
10. Seat Ring	Virgin PTFE
11. Ball	Silicon Bronze ASTM B283 Alloy C69300
12. End Piece	Silicon Bronze ASTM B283 Alloy C69300



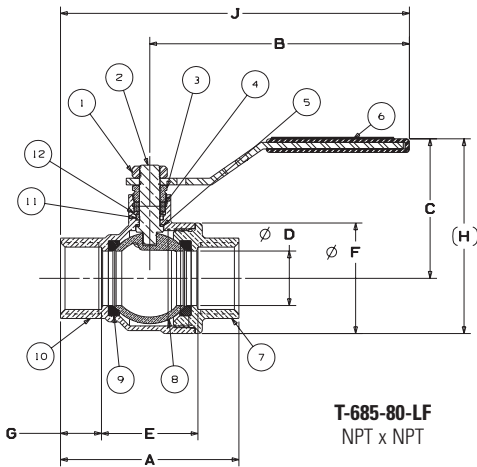
T-685-80-LF
Threaded



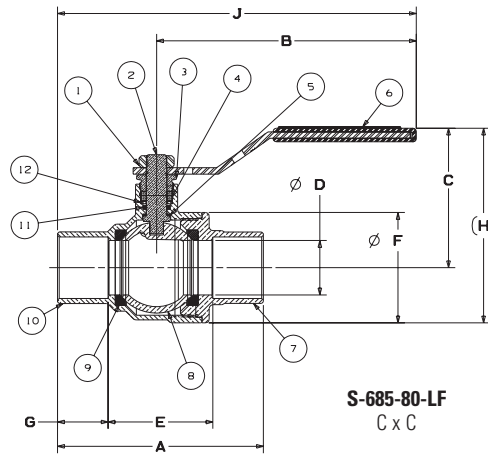
S-685-80-LF
Solder



Handle Markings



T-685-80-LF
NPT x NPT



S-685-80-LF
C x C

DIMENSIONS—WEIGHTS—QUANTITIES

SIZE	A	B	C	D	E	F	G	J	T-685-80-LF	S-685-80-LF	Master
In. mm.	In. mm.	In. mm.	In. mm.	In. mm.	In. mm.	In. mm.	In. mm.	In. mm.	Lbs. Kg.	Lbs. Kg.	Ctn Qty.
1/4 8	1.98 50	3.95 100	1.95 50	0.31 8	1.09 28	1.24 31	0.42 11	4.93 125	0.52 0.24	— —	24
3/8 10	1.98 50	3.95 100	2.01 51	0.50 13	1.09 28	1.24 31	0.40 10	4.93 125	0.49 0.22	0.46 0.21	24
1/2 15	2.22 56	3.95 100	2.01 51	0.50 13	1.00 25	1.24 31	0.61 15	5.06 129	0.47 0.21	0.46 0.21	80
3/4 20	2.66 68	4.76 121	2.30 58	0.75 19	1.42 36	1.64 42	0.63 16	6.09 155	0.70 0.32	0.69 0.31	60
1 25	3.27 83	4.76 121	2.56 65	1.00 25	1.77 45	2.03 52	0.75 19	6.4 163	1.10 0.50	1.12 0.51	40
1-1/4 32	3.56 90	6.75 171	3.07 78	1.25 32	2.01 51	2.38 60	0.76 19	8.51 216	1.69 0.77	1.66 0.75	4
1-1/2 40	3.98 101	6.75 171	3.31 84	1.50 38	2.44 62	2.89 73	0.77 20	8.73 222	2.58 1.17	2.71 1.23	2
2 50	4.52 115	6.75 171	3.56 90	2.00 51	2.94 75	3.6 91	0.79 20	9.01 229	4.37 1.98	4.62 2.1	8



WARNING: This product can expose you to chemicals including lead, which is known to the State of California to cause cancer and birth defects or other reproductive harm. For more information go to www.P65Warnings.ca.gov.

LEAD-FREE: Weighted average lead content ≤ 0.25%