

Carbon Steel Ball Valves

Two-Piece Bar Stock Body • Conventional Port •
Blowout-Proof Stem • CS Trim • Vented Ball

2000 PSI/138 bar non-shock cold working pressure (3/8"-1")
1500 PSI/103 bar non-shock cold working pressure (1-1/4"-2")♦

CONFORMS TO MSS SP-110

MATERIAL LIST

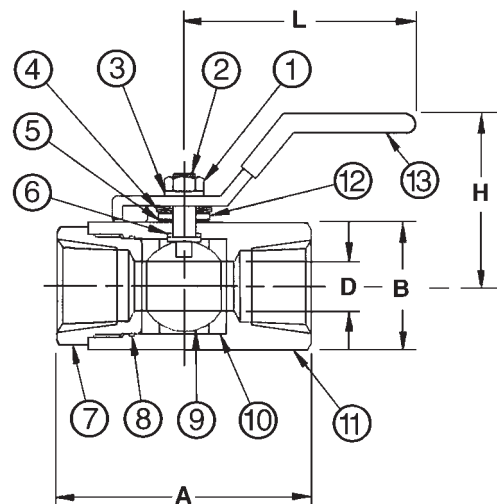
PART	SPECIFICATION
1. Handle Nut	Carbon Steel ASTM A 283
2. Stem	Carbon Steel ASTM A 108 Type 1045
3. Spring Washer	Carbon Steel
4. Belleville Washer (2)	Carbon Steel ASTM A 686
5. Stem Packing (2)	Reinforced PTFE
6. Thrust Washer	Carbon Filled PTFE
7. Body End Piece	Carbon Steel ASTM A 108 Type 1018
8. Spacer Seal	PTFE
9. Ball (Vented)	Stainless Steel ASTM A 276 Type 304 or ASTM A 351 Type CF8M
10. Seat (2)	Reinforced PTFE
11. Body	Carbon Steel ASTM A 108 Type 1018
12. Gland Washer	Stainless Steel ASTM A 240 Type 304
13. Handle	Carbon Steel ASTM A 283

3/8"-1" 2000 PSI CWP, 1-1/4"-2" 1500 PSI CWP.

NOTE: valves are static grounded by thrust washer and packing.



T-580-CS-R-25
Threaded



T-580-CS-R-25
NPT x NPT

DIMENSIONS—WEIGHTS—QUANTITIES

Size	Dimensions					T-580-CS-R-25	Master
	A	B	D	H	L		
In. mm.	In. mm.	In. mm.	In. mm.	In. mm.	In. mm.	Lbs. Kg.	
3/8	10 2.30	58 1.02	26 .38	9 2.22	56 4.13	105 .55 .25	10
1/2	15 2.52	64 1.26	32 .50	9 2.44	62 4.17	105 .79 .36	10
3/4	20 2.95	75 1.61	41 .69	13 2.64	67 4.17	105 1.43 .65	10
1	25 3.35	85 1.97	50 .87	18 2.83	72 5.83	148 2.40 1.08	10
1 1/4	32 3.66	93 2.17	55 1.00	25 2.97	75 5.83	148 3.01 1.37	5
1 1/2	40 4.11	104 2.64	67 1.25	32 3.25	83 7.00	182 4.86 2.20	5
2	50 4.61	117 3.03	77 1.50	38 3.54	90 7.24	198 6.62 3.00	5

♦For detailed operating pressure, refer to pressure temperature chart on pages 71 and 72.

Visit our website for the most current information.