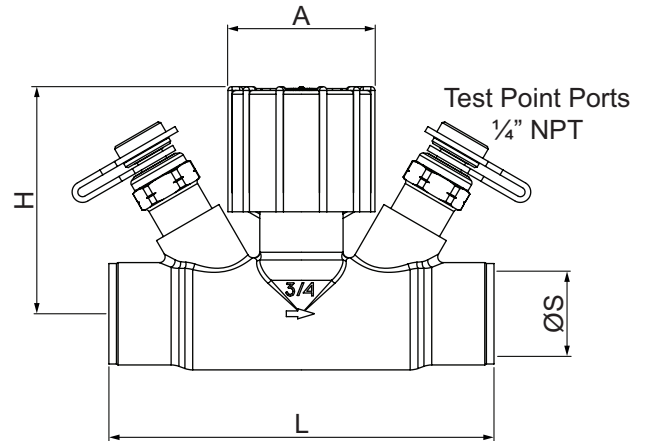


S-1709 DZR Brass Variable Orifice Balancing Valve

Solder Ends ASME B16.22 - 1/2" and 3/4"



DIMENSIONS - In.						
Size	Cv - Full Open	L	H	A	S - Internal Bore Diameter	Weight Lbs.
1/2"	3.8	3.63	2.36	1.51	0.627 - 0.631	1.1
3/4"	3.8	4.02	2.36	1.51	0.877 - 0.881	1.2



MATERIAL LIST	
PART	SPECIFICATION
Body	Brass - UNS C35330 (DZR)
O-ring	EPDM
Stem	Brass - UNS C35330 (DZR)
Stem Retaining Nut	Brass - UNS C36000
Handwheel	PA66
Test Point (2)	Brass - UNS C35330 (DZR)

125 PSI Non-Shock Cold Working Pressure
Maximum Temperature 250°F at 125 PSI

Flow Measurement Accuracy - Full Open ±5%
- 25% Open ±10%

Accessories

RECOMMENDED FLOW RANGE		
Size - In.	Flow Range - gpm	
	Min	Max
1/2"	1.4	4.6
3/4"	1.4	4.6



PT Test Point Extension

Project: _____

Contractor: _____

PO/Job No.: _____

Engineer: _____

Representative: _____

Date: _____