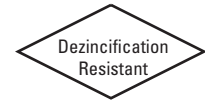


# NIBCO® Press System Bronze Gate Valves

Screw-In Bonnet • Non-Rising Stem • Solid Wedge

**200 psi/13.8 bar non-shock cold working pressure**  
**250°F maximum operating temperature**

CONFORMS TO MSS SP-80



## MATERIAL LIST

PART	SPECIFICATION
1. Handwheel Nut	300 Series Stainless Steel
2. Identification Plate	Aluminum
3. Handwheel	Malleable Iron ASTM A 47
4. Stem	Silicon Bronze ASTM B 371 Alloy C69430 or ASTM B 99 Alloy C65100
5. Pack Nut	Brass ASTM B 16 Alloy C36000
6. Pack Gland	Brass ASTM B 16 Alloy C36000
7. Packing	Aramid Fibers with Graphite
8. Stuffing Box	Bronze ASTM B 62 Alloy C83600
9. Bonnet	Bronze ASTM B 62 Alloy C83600
10. Body Assembly	Bronze ASTM B 62 Alloy C83600
11. Wedge	Bronze ASTM B 62 Alloy C83600
12. Female Adapter (2)	Bronze ASTM B 61 Alloy C92200
13. O-Ring (2)	EPDM



**PF-113**

Press x Press  
Female End

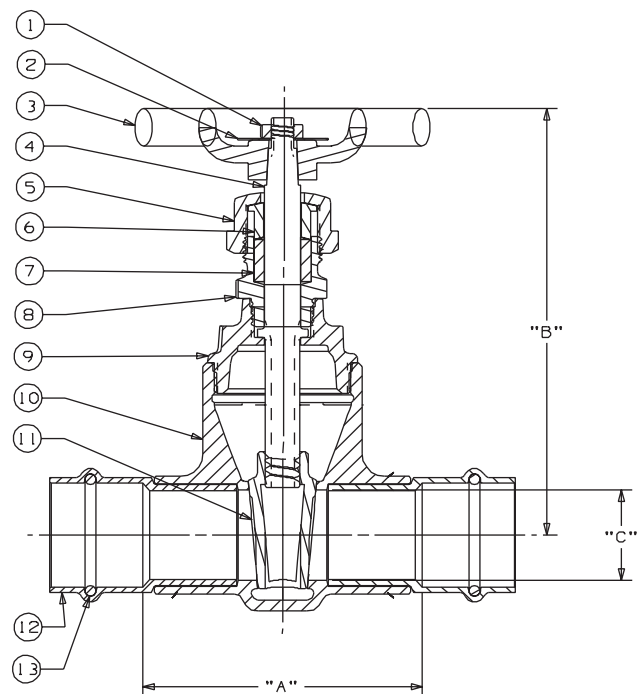
## DIMENSIONS—WEIGHTS

Size	Dimensions						Weight			
	A		B		C		Lbs.		Kg.	
In.	mm.	In.	mm.	In.	mm.	In.	mm.	Lbs.	Kg.	
½†	15	1.97	50	3.63	92	.50	13	.78	.36	
¾	20	2.62	67	3.91	99	.75	19	1.21	.55	
1	25	3.07	78	4.69	119	1.00	25	1.92	.88	
1¼	32	3.36	85	5.22	133	1.25	32	2.69	1.22	
1½	40	3.70	94	6.25	159	1.50	38	3.91	1.78	
2	50	4.28	109	7.06	179	2.00	51	6.21	2.83	

† No packing gland, packing only in this size.

NIBCO Press System gate valves are designed to meet MSS SP-80 with the exception of the end connection. Male and female press-to-connect ends are new technology not yet covered in the current edition of this specification.

**WARNING:** This product can expose you to chemicals including lead, which is known to the State of California to cause cancer and birth defects or other reproductive harm. For more information go to [www.P65Warnings.ca.gov](http://www.P65Warnings.ca.gov).



**PF-113**  
P x P

Visit our website for the most current information.