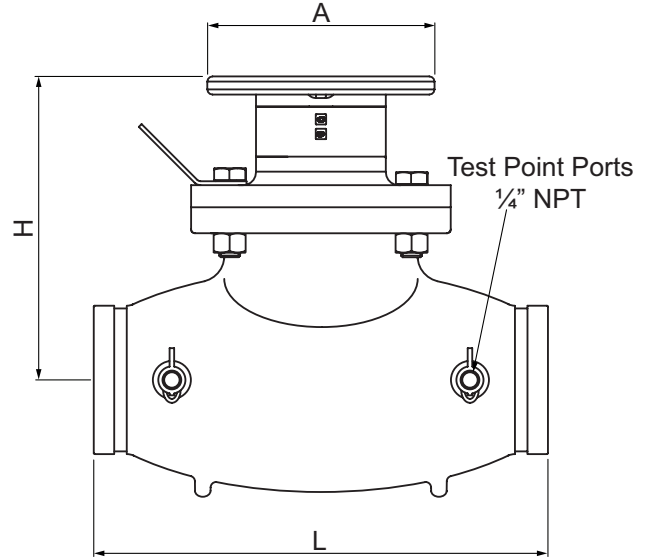


# G737A Cast Iron Variable Orifice Balancing Valve

## Grooved Dimensions per ANSI/AWWA C606 for IPS Pipe - 2½" to 12"

DIMENSIONS - In.					
Size	Cv - Full Open	L	H	A	Weight Lbs.
2½"	78.3	11.42	7.32	5.91	39
3"	114.6	12.20	8.15	6.89	49
4"	206.6	13.78	9.21	6.89	66
5"	274.4	15.75	10.31	10.43	124
6"	439.5	18.90	12.20	10.43	148
8"	786.4	23.62	15.69	17.72	312
10"	1286.1	28.74	17.81	17.72	506
12"	2075.5	33.48	20.18	17.72	783



MATERIAL LIST	
PART	SPECIFICATION
Body	Cast Iron - ASTM A-126 B
Bonnet	Cast Iron - A48 Grade 35
Disc	Cast Iron - A48 Grade 35
Disc Coating	EPDM
Stem	Brass - UNS C35330 (DZR)
Disc Stem Nut	Brass - UNS C35330 (DZR)
Disc Retaining Nut	Brass - UNS C35330 (DZR)
Stop Pin	Brass - ASTM B16 C36000
'O' Rings	EPDM
Handwheel	Cast Iron - A48 Grade 35
Test Point (2)	Brass - UNS C35330 (DZR)

**240 PSI Non-Shock Cold Working Pressure**  
**Maximum Temperature 250°F at 175 PSI**

**Flow Measurement Accuracy - Full Open ±5%**  
**- 50% Open ±10%**  
**- 25% Open ±20%**

### Accessories



PT Test Point Extension

RECOMMENDED FLOW RANGE			
Size - In.	Max Flowrate (gpm) at 0.145 psi Minimum Signal	Max Flowrate (gpm) at 1.45 psi Maximum Signal	Flowrate (gpm) at 7 ft/s
2"	16.8	53.2	73.4
2½"	29.8	94.3	105
3"	43.6	138	162
4"	78.7	249	278
5"	105	330	437
6"	167	529	631
8"	300	947	1,091
10"	490	1,549	1,723
12"	790	2,499	2,443

Project: \_\_\_\_\_

Contractor: \_\_\_\_\_

PO/Job No.: \_\_\_\_\_

Engineer: \_\_\_\_\_

Representative: \_\_\_\_\_

Date: \_\_\_\_\_