

CPVC-CTS Ball Valve

One-Piece Molded CPVC Body • Socket Ends

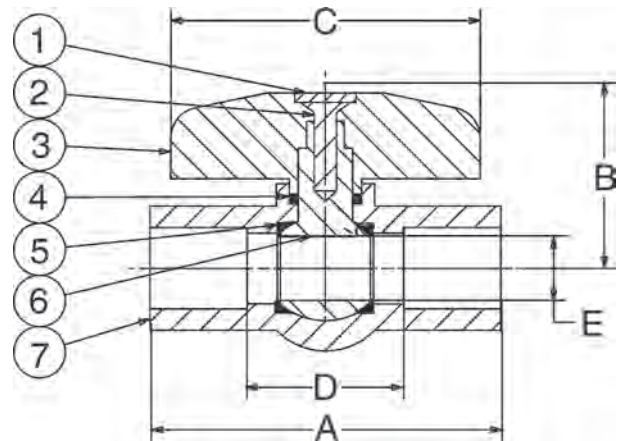
150 PSI/10.3 Bar Non-Shock Cold Working Pressure to 73° F/23° C
NSF Listed to NSF/ANSI/CAN 61
NSF/ANSI/CAN 372



4770
Socket Weld

MATERIAL LIST

PART	SPECIFICATION
1. Handle Cap	ABS
2. Screw	Zinc Plated Steel
3. Handle	ABS
4. O-Ring	EPDM
5. Seat (2)	PTFE
6. Ball	CPVC
7. Body	CPVC



4770
Socket x Socket

DIMENSIONS—WEIGHTS

Size	Dimensions										Weight		Master Ctn. Qty	
	A		B		C		D		E		Lbs.	Kg.		
In.	mm.	In.	mm.	In.	mm.	In.	mm.	In.	mm.	In.	mm.			
½	15	2.68	68	1.42	36	2.36	60	1.68	43	0.47	12	0.19	0.09	100
¾	20	3.27	83	1.77	45	2.76	70	1.87	47	0.71	18	0.35	0.16	100
1	25	3.74	95	2.13	54	3.46	88	1.94	49	0.94	24	0.54	0.25	100
1¼	32	4.17	106	2.56	65	3.94	100	1.97	50	0.98	25	0.70	0.32	100
1½	40	4.49	114	2.64	67	3.94	100	1.89	48	1.18	30	1.06	0.48	48
2	50	5.71	145	2.99	76	4.29	109	2.29	58	1.42	36	1.73	0.79	48

Note: Socket ends per ASTM D 2846.

WARNING: This product can expose you to chemicals including styrene, which is known to the State of California to cause cancer. For more information go to www.P65Warnings.ca.gov.

*** DO NOT USE OR TEST THE PLASTIC VALVES LISTED IN THIS CATALOG WITH COMPRESSED AIR OR OTHER GASSES.**