

**PC672-2 SERIES
TWO-PIECE
PRESS
COMPANION
FLANGE
CLASS 125/150**

APPLICATIONS

- Potable Water
- HVAC Water-based Systems
 - Condensers, Chilled Water, Hydronic Heating
- Vacuum and Dry Compressed Air Systems
- Residential and Commercial Construction

MATERIALS & CONSTRUCTION

- Powder Coated Steel Companion Flange with FTG End Tube Adapter
- Flange Powder-coating Creates a Barrier Between the Steel and Copper, which Resists Galvanic Corrosion
- Low Sulfur Peroxide Cured EPDM Component is Bonded to the Powder Coated Flange and Creates a Physical Barrier
- NIBCO Wrot Copper Fittings Are Naturally Lead-free and Made From Commercially Pure Copper Mill Products Per ASTM B75 C12200
- EPDM Sleeve Adapter Support for ease of Assembly

The NIBCO[®] PC672-2 fitting end flange is designed for use in press systems and the fitting length accommodates press to connect technology.



PRESS SYSTEM



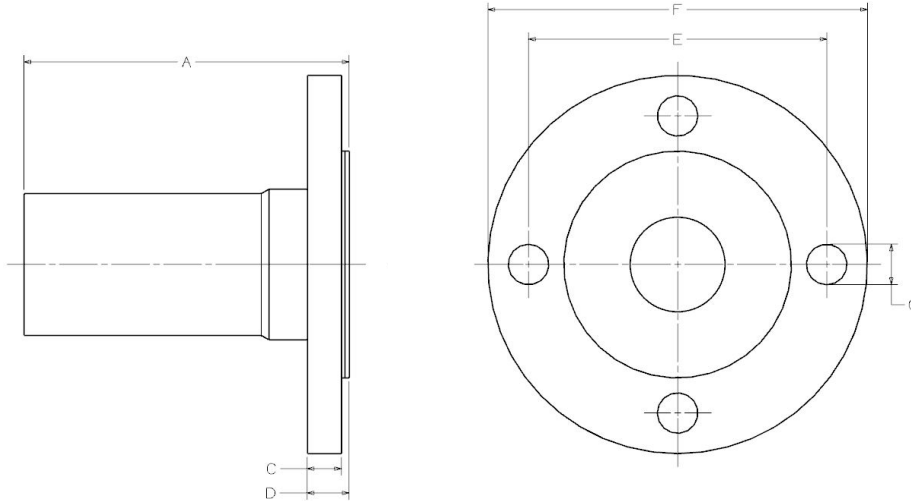
PC672-2
2" - 4"

DESIGN CRITERIA

- For Use with Types K, L and M Copper Tube
- 200 PSI Non-shock CWP
- 250°F Maximum Operating Temperature (non-steam)
- Third-party Certified to NSF/ANSI 61, NSF/ANSI 372, and NSF/ANSI B16.51
- Dezincification-resistant
- Available in 2" Through 4" Sizes for Press Connections
- Mounting Holes to Match ASME B16.5

SIZE	MATERIAL NO.	DESCRIPTION
2"	9146550PC	PC672-2 2 CLASS 125/150 2-PC COMPANION FLANGE
2½"	9146505PC	PC672-2 2½ CLS 125/150 2-PC COMPANION FLANGE
3"	9146655PC	PC672-2 3 CLASS 125/150 2-PC COMPANION FLANGE
4"	9146755PC	PC672-2 4 CLASS 125/150 2-PC COMPANION FLANGE

PC672-2 Series – Class 125/150 Two-Piece Companion Flange



Section - Front View

Top View

SIZE		DIMENSIONS (INCHES)						WEIGHTS	
In.	mm	A	C	D	E	F	G	Lbs.	Kg.
2"	50	6"	5/8"	25/32"	4¾"	6"	¾"	5.46	2.488
2 1/2"	65	6"	5/8"	25/32"	5½"	7"	¾"	7.44	3.376
3"	80	6"	5/8"	25/32"	6"	7½"	¾"	8.63	3.914
4"	100	6"	23/32"	7/8"	7½"	9"	¾"	12.03	5.456

LEGEND:

A = bottom of raised face to tube stop

C = flange thickness

D = bottom of raised face to top of flange

E = bolt circle diameter

F = flange diameter

G = bolt hole diameter