

Bronze Ball Valves

Three-Piece Body • Full Port • Thread x Solder End Connections •
Blowout-Proof Stem



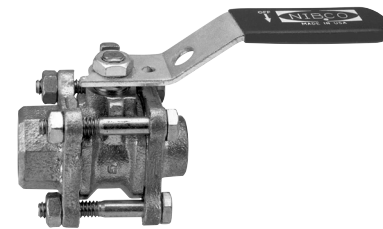
600 PSI/41.4 bar non-shock cold working pressure
150 PSI/10.3 bar saturated steam*

CONFORMS TO MSS SP-110

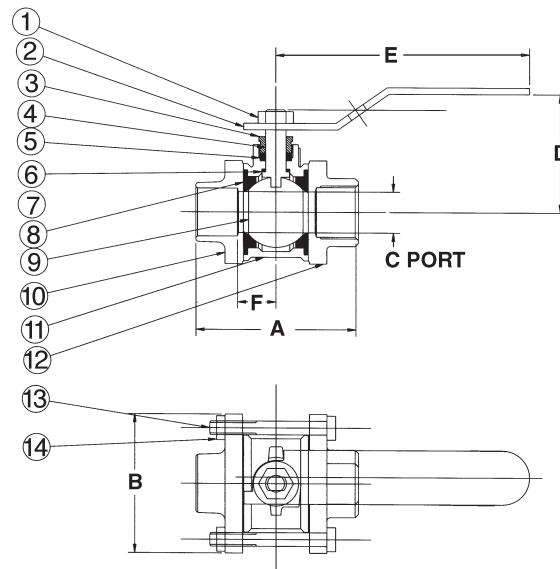
MATERIAL LIST

PART	SPECIFICATION
1. Handle Nut	Zinc Plated Steel
2. Handle	Zinc Plated Steel Clear Chromate Plastisol Coated
3. Threaded Pack Gland	Brass ASTM B 16 Alloy C36000
4. Stem	Silicon Bronze ASTM B 371 Alloy C69430 or ASTM B 99 Alloy C65100
5. Packing	PTFE
6. Thrust Washer	Reinforced PTFE
7. O-Ring Seal (2)	Fluorocarbon Rubber
8. Seat Ring (2)	PTFE
9. Ball	Brass ASTM B 124 Alloy C37700 or ASTM B16 Alloy C36000 EACH with Hard Chrome Plate
10. Solder Body End	Cast Bronze ASTM B 584 Alloy C84400
11. Body	Bronze ASTM B 584 Alloy C84400
12. Threaded Body End	Bronze ASTM B 584 Alloy C84400
13. Body Bolts (4)	Zinc Dichromate Plated Steel ASTM A 449 Grade 5
14. Body Nuts (4)	Zinc Dichromate Plated Steel

Note: valves are static grounded by a grounding washer. (not shown)



TS-595-Y
Threaded x Solder



TS-595-Y
C x NPT

DIMENSIONS—WEIGHTS—QUANTITIES

Size	Dimensions						TS-595-Y Lbs.	Box Kg.	Master Qty.	Master Ctn. Qty.
	A	B	C	D	E	F				
In. mm.	In. mm.	In. mm.	In. mm.	In. mm.	In. mm.	In. mm.	In. mm.			
1/4 8	2.09 53	1.81 46	.38 10	1.69 43	3.90 99	.56 14	.94	.43	5	50
3/8 10	2.16 55	1.81 46	.38 10	1.69 43	3.90 99	.56 14	.94	.43	5	50
1/2 15	2.28 58	1.81 46	.50 13	1.69 43	3.90 99	.56 14	1.01	.47	5	50
3/4 20	2.97 75	1.94 49	.75 19	2.00 51	4.66 118	.72 18	1.73	.79	5	30
1 25	3.67 93	2.50 64	1.00 25	2.25 57	4.66 118	.92 23	2.75	1.25	5	20
1 1/4 32	3.97 101	2.69 68	1.25 32	2.75 70	6.69 170	.98 24	3.90	1.77	2	10
1 1/2 40	4.57 116	3.00 76	1.50 38	2.97 75	6.69 170	1.19 30	5.50	2.49	2	10
2 50	5.97 152	4.00 102	2.00 51	3.63 92	6.69 170	1.54 39	10.27	4.66	2	4

*For detailed operating pressure, refer to pressure temperature chart on page 42.



WARNING: This product can expose you to chemicals including lead, which is known to the State of California to cause cancer and birth defects or other reproductive harm. For more information go to www.P65Warnings.ca.gov.

Visit our website for the most current information.