

Lead-Free* Bronze Ball Valves

Features: Silicon Performance Bronze® Alloy • Two-Piece Body • Full Port • Blowout-Proof Stem

Approvals: MSS SP-110 • IAPMO IGC-157 • NSF/ANSI-61-8 Commercial Hot 180°F (includes annex F and G) and NSF/ANSI-372

Size range: ¼" - 2½"

Pressure rating: 600 PSI non-shock cold working pressure

Maximum pressure / temperature: 100 PSI at 300° F

Lead-free* markings: Double oval in body casting, white handle and blue hang tag



MATERIAL LIST

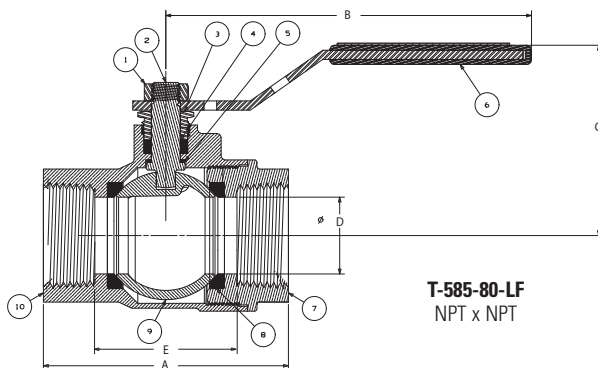
PART	SPECIFICATION
1. Handle Nut	Zinc Plated Steel
2. Stem	Silicon Bronze ASTM B371 Alloy C69300
3. Pack Gland	Brass ASTM B16 Alloy C36000
4. Packing, Stem	Virgin PTFE
5. Washer, Thrust	Reinforced PTFE
6. Handle	Zinc Plated Steel Clear Chromate Plastisol Coated
7. End Piece	Silicon Bronze ASTM B584 Alloy C87600
8. Seat Ring (2)	Reinforced PTFE
9. Ball	DZR Brass SAE J461 C46500 (¼"-1") Stainless Steel ASTM A276 S31600 or ASTM A351 CF8M (1¼"-2½")
10. Body	Silicon Bronze ASTM B584 Alloy C87600



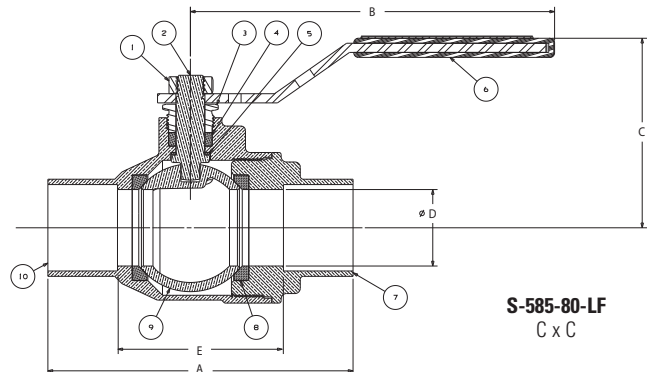
T-585-80-LF
Threaded



S-585-80-LF
Solder



T-585-80-LF
NPT x NPT



S-585-80-LF
C x C

DIMENSIONS—WEIGHTS—QUANTITIES

SIZE	Dimensions																Master Ctn. Qty.			
	T-585-80-LF				S-585-80-LF				T-585-80-LF				S-585-80-LF							
	A	A	B	C	A	A	B	C	D	E	E	E	D	E	E	E				
¼	8	1.78	45	1.83	46	3.96	101	1.86	47	0.31	8	1.00	25	1.21	31	0.43	0.19	0.40	0.18	24
⅜	10	1.79	45	1.97	50	3.96	101	1.85	47	0.38	10	1.80	46	1.21	31	0.44	0.20	0.41	0.19	24
½	15	2.23	57	2.4	61	3.96	101	1.96	50	0.5	13	1.16	29	1.40	36	0.65	0.30	0.56	0.25	80
¾	20	2.78	71	3.16	80	4.76	121	2.28	58	0.75	19	1.68	43	1.66	42	1.20	0.55	1.02	0.46	60
1	25	3.34	85	3.99	101	4.76	121	2.48	63	1	25	2.00	51	2.17	55	1.63	0.74	1.50	0.68	40
1¼	32	3.75	95	4.13	105	6.75	171	3.10	79	1.25	32	2.39	61	2.19	56	2.87	1.30	2.41	1.09	20
1½	40	4.26	108	4.97	126	6.75	171	3.32	84	1.5	38	2.89	73	2.79	71	3.83	1.74	3.62	1.64	10
2	65	4.80	122	6.02	153	6.75	171	3.56	90	2	51	3.40	86	3.34	85	5.57	2.53	5.54	2.51	6
2½	65	6.00	152	7.21	183	8.06	205	4.40	112	2.50	64	4.12	105	4.27	108	13.70	6.21	12.80	5.80	2



Handle Markings

Handle Options:

- Stainless Steel Lever
- NIB-Seal®
- Locking lever
- Stainless Steel Locking Lever
- Memory stop
- Extended lever w/ memory stop
- Round
- Wing
- Horizontal and vertical chain



Conventional port valve offered in 3" size



WARNING: This product can expose you to chemicals including lead, which is known to the State of California to cause cancer and birth defects or other reproductive harm. For more information go to www.P65Warnings.ca.gov.

*Weighted average lead content ≤ 0.25%