

# Bronze Ball Valves

Two-Piece Body • Full Port • Stainless Trim • Blowout-Proof Stem • Vented Ball

**600 PSI/41.4 bar non-shock cold working pressure**  
**150 PSI/10.3 bar saturated steam\***

CONFORMS TO MSS SP-110

## MATERIAL LIST

PART	SPECIFICATION
1. Handle Nut	Stainless Steel 300 Series
2. Handle	Zinc Plated Steel Clear Chromate Plastisol Coated
3. Threaded Pack Gland	Brass ASTM B 16 Alloy C36000
4. Packing	PTFE
5. Stem	Stainless Steel ASTM A 276 Type 316
6. Thrust Washer	Reinforced PTFE
7. Ball (Vented)	Stainless Steel ASTM A 276 Type 316 or ASTM A 351 Type CF8M
8. Seat Ring (2)	Reinforced PTFE
9. Body	Bronze ASTM B 584 Alloy C84400
10. Body End Piece	Bronze ASTM B 584 Alloy C84400

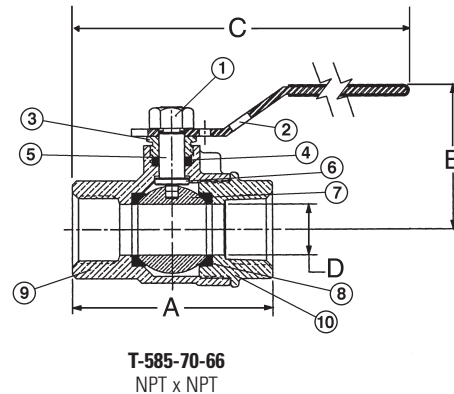
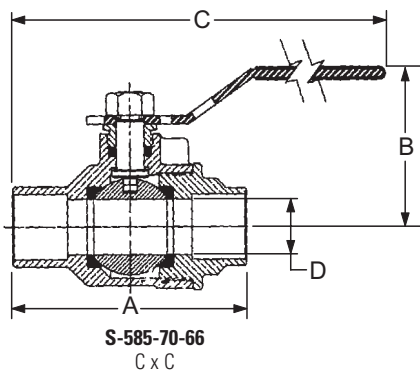
¼" size only has a 304 stainless steel grounding washer.



**T-585-70-66**  
Threaded



**S-585-70-66**  
Solder



## DIMENSIONS—WEIGHTS—QUANTITIES

### Dimensions

Size	T-585-70-66		S-585-70-66		T-585-70-66		S-585-70-66		D	T-585-70-66		S-585-70-66		Master Ctn. Qty.				
	A	A	B	C	C	D	Lbs.	Kg.		Lbs.	Kg.							
¼	8	2.00	51	1.75	44	1.75	44	5.00	127	4.75	121	.38	10	.45	.21	.42	.19	100
⅜	10	2.00	51	1.84	47	1.75	44	5.00	127	4.81	122	.38	10	.45	.21	.42	.19	100
½	15	2.44	62	2.56	65	1.88	48	5.19	132	5.25	133	.50	13	.64	.29	.60	.27	100
¾	20	2.94	75	3.25	82	2.25	57	6.25	159	6.25	159	.75	19	1.33	.60	1.27	.58	50
1	25	3.34	85	3.75	95	2.38	60	6.44	164	6.63	168	1.00	25	1.79	.81	1.72	.78	40
1¼	32	4.19	106	5.06	128	3.00	76	6.75	171	7.19	183	1.25	32	3.34	1.52	3.40	1.55	20
1½	40	4.72	120	5.99	151	3.16	80	9.06	230	9.69	246	1.50	38	4.84	2.20	5.18	2.35	10
2	50	5.16	131	6.72	170	3.50	89	9.25	235	10.06	256	2.00	51	7.41	3.37	7.83	3.56	8

Note: solder end is designed to be soft-soldered into lines using solders with the melting point not exceeding 500°F. Higher temperature solders will damage the seat material. See installation sheet packaged with valves.

\*For detailed operating pressure, refer to pressure temperature chart on page 42.



**WARNING:** This product can expose you to chemicals including lead, which is known to the State of California to cause cancer and birth defects or other reproductive harm. For more information go to [www.P65Warnings.ca.gov](http://www.P65Warnings.ca.gov).

**LEAD FREE\*  
OPTION  
AVAILABLE**

**OXYGEN  
SERVICE  
OPTION  
AVAILABLE**

Visit our website for the most current information.

\*Weighted average lead content ≤ 0.25%