

Lead-Free* Bronze Check Valves

Features: Silicon Performance Bronze® Alloy • Horizontal Swing • Regrinding Type • Y-Pattern • Renewable Seat and Disc

Approvals: Conforms to MSS SP-139 • NSF/ANSI-61-8 Commercial Hot 180°F (includes annex F and G) and NSF/ANSI-372

Size Range: 1/4" - 2"

Pressure Rating: 200 PSI Non-Shock Cold Working Pressure

Maximum Pressure / Temperature: 100 PSI at 300° F

Lead-Free* marking: Double oval in body casting



NSF/ANSI 61
NSF/ANSI 372



T-413-Y-LF
Threaded



S-413-Y-LF
Solder

MATERIAL LIST

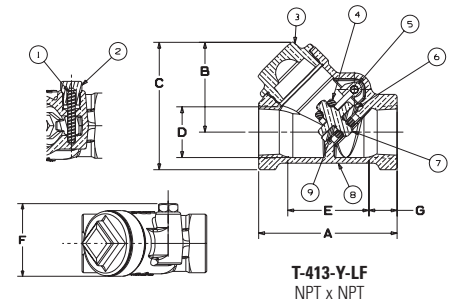
PART	SPECIFICATION
1. Hinge Pin	316SS or 304SS
2. Hinge Pin Plug	Silicon Bronze ASTM B283 Alloy C69300
3. Bonnet	Silicon Bronze ASTM B584 Alloy C87850
4. Nut (2)	316SS or 304SS
5. Disc Hanger	Silicon Bronze ASTM B584 Alloy C87850 or MPIF SS-316NI-25
6. Seat Disc	PTFE
7.* Seat Disc Washer	304SS or 316SS
8. Disc Holder	Silicon Bronze ASTM B283 Alloy C69300
9. Body	Silicon Bronze ASTM B584 Alloy C87850

*Sizes 3/4", 1", 1 1/2", 1 3/4" and 2" only.

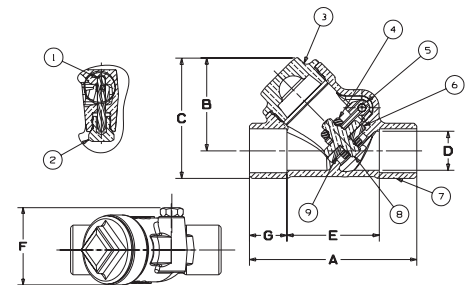
DIMENSIONS—WEIGHTS—QUANTITIES

SIZE	A		B		C		D		E		F		G		T-413-LF		Master
In. mm.	In. mm.	In. mm.	In. mm.	In. mm.	In. mm.	In. mm.	In. mm.	In. mm.	In. mm.	In. mm.	In. mm.	In. mm.	In. mm.	In. mm.	Lbs.	Kg.	Ctn Qty.
1/4	8	2.12 53.85	1.31 33.27	1.37 34.79	0.67 17	1.57 40	1.401 27	0.26 7	0.508 0.23	50							
3/8	10	2.12 53.85	1.31 33.27	1.31 33.27	0.67 17	1.40 36	1.401 27	0.35 9	0.478 0.22	50							
1/2	15	2.44 62	1.66 42	2.31 59	0.81 21	1.61 41	1.401 33	0.42 11	0.55 0.25	50							
3/4	20	2.9 74	1.88 48	2.67 68	1.04 26	2.06 52	1.702 40	0.42 11	0.90 0.41	50							
1	25	3.56 90	2.27 58	3.29 84	1.26 32	2.44 62	1.953 52	0.55 14	1.46 0.66	30							
1-1/4	32	4.18 106	2.73 69	3.93 100	1.59 40	3.00 76	2.179 60	0.59 15	2.17 0.99	20							
1-1/2	40	4.48 114	3.08 78	4.44 113	1.86 47	3.39 86	2.430 70	0.57 13	2.95 1.34	10							
2	50	5.29 134	3.84 98	5.48 139	2.29 58	3.74 95	3.067 83	0.76 19	4.79 2.17	10							

SIZE	A		B		C		D		E		F		G		S-413-LF		Master
In. mm.	In. mm.	In. mm.	In. mm.	In. mm.	In. mm.	In. mm.	In. mm.	In. mm.	In. mm.	In. mm.	In. mm.	In. mm.	In. mm.	In. mm.	Lbs.	Kg.	Ctn Qty.
1/4	8	2.12 53.85	1.31 33.27	1.37 34.79	0.67 17	1.57 40	1.401 27	0.26 7	0.508 0.23	50							
3/8	10	2.12 53.85	1.31 33.27	1.31 33.27	0.67 17	1.40 36	1.401 27	0.35 9	0.478 0.22	50							
1/2	15	2.52 64	1.540 42	1.940 49	0.54 14	1.52 39	1.416 20	0.50 13	0.55 0.25	50							
3/4	20	3.34 85	1.861 48	2.410 61	0.78 20	1.84 47	1.717 28	0.75 19	0.88 0.40	50							
1	25	4.06 103	2.206 29	2.880 73	1.02 26	2.25 57	1.947 34	0.91 23	1.48 0.67	30							
1-1/4	32	4.69 119	2.737 38	3.520 89	1.26 32	2.75 70	2.178 40	0.97 25	2.22 1.01	20							
1-1/2	40	5.28 134	3.030 44	3.950 100	1.51 38	3.09 78	2.429 47	1.09 28	3.00 1.36	10							
2	50	6.44 164	3.640 98	4.863 123	1.98 50	3.74 95	3.073 62	1.34 34	4.87 2.21	10							



T-413-Y-LF
NPT x NPT



S-413-Y-LF
C x C

NIBCO check valves may be installed in both horizontal and vertical lines with upward flow or in any intermediate position. They will operate satisfactorily in a declining plane (no more than 15°). Install check valves as far from pump discharge or line direction change as possible and at a minimum length of 5 times the pipe diameter.

WARNING: This product can expose you to chemicals including lead, which is known to the State of California to cause cancer and birth defects or other reproductive harm. For more information go to www.P65Warnings.ca.gov.

Do not use for reciprocating air compressor service.

*Weighted average lead content ≤ 0.25%

Press end valve also available (PC-413-Y-LF).
See NIBCO® Press System catalog.