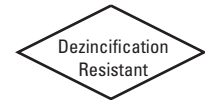


Class 125 Bronze Check Valves

Horizontal Swing • Grinding Type • Y-Pattern • Renewable Seat and Disc



125 PSI/8.6 Bar Saturated Steam to 353°F/178°C
200 PSI/13.8 Bar Non-Shock Cold Working Pressure

CONFORMS TO MSS SP-80

MATERIAL LIST

PART	SPECIFICATION
1. Bonnet	Bronze ASTM B 62
2. Body	Bronze ASTM B 62
3. Hinge Pin	Bronze ASTM B140 Alloy C31400 or B 134 Alloy C23000
4. Disc Hanger	Bronze ASTM B 62 or MPIF SS-316NI-25
5. Hanger Nut	Bronze ASTM B 16
6. Disc Holder	Bronze ASTM B 62
7. Seat Disc	Water, Oil or Gas (Buna-N) (W) Steam (PTFE) (Y) Bronze ASTM (B) FKM (V) B 62 C83600
8. Seat Disc Nut	Bronze ASTM B 16 or B 62
9. Hinge Pin Plug	Bronze ASTM B140 Alloy C31400 (not shown)
10. Seat Disc Washer*	ASTM B 98 Alloy C65500 or ASTM B 103

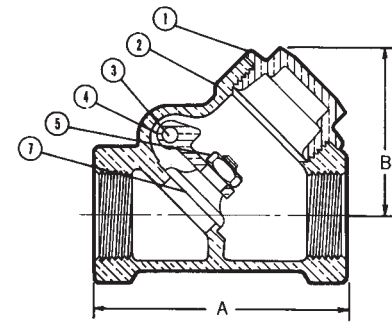
*Sizes ¾", 1", 1¼", 1½" and 2" only.



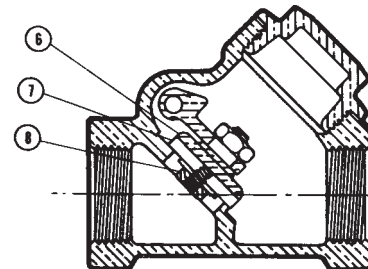
T-413
Threaded



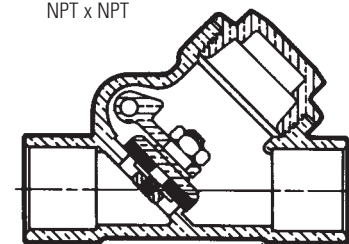
S-413
Solder



T-413-B
NPT x NPT



T-413-Y
NPT x NPT



S-413-W
C x C

DIMENSIONS—WEIGHTS—QUANTITIES

Size	Dimensions						T-413		S-413		Master Ctn. Qty.	
	A		B		C		Lbs.	Kg.	Lbs.	Kg.		
In.	mm.	In.	mm.	In.	mm.	In.	mm.					
¼	8	2.13	54	1.63	41	1.38	35	0.50	0.23	0.51	0.23	50
⅜	10	2.13	54	1.63	41	1.31	33	0.47	0.22	0.48	0.22	50
½	15	2.44	62	1.69	43	1.50	38	0.55	0.25	0.55	0.25	50
¾	20	2.94	75	1.88	48	1.88	48	0.90	0.41	0.88	0.40	10
1	25	3.56	90	2.31	59	2.25	57	1.46	0.66	1.48	0.67	5
1¼	32	4.19	106	2.69	68	2.75	70	2.17	0.99	2.22	1.01	20
1½	40	4.50	114	2.94	75	3.11	79	2.95	1.34	3.00	1.36	10
2	50	5.25	133	3.94	100	3.75	95	4.79	2.17	4.87	2.21	10
2½*	65	8.00	203	5.06	129	5.06	129	11.48	5.21	10.48	4.76	5
3*	80	9.25	235	6.25	159	6.25	159	17.53	7.96	15.29	6.94	4

Ordering: T-413 and S-413 normally furnished with Bronze Disc (T-413-B) or (S-413-B).
Both available with PTFE Steam Disc (T-413-Y), (S-413-Y), or CWP Disc (T-413-W), (S-413-W) or 300° F 67 PSI steam FKM Disc (T-413-V).

*Class 150 (433) furnished for these sizes.

Install 5 pipe diameters minimum downstream from pump discharge or changes in direction to avoid flow turbulence. Flow straighteners may be required in extreme cases.

Note: On pump discharge, the preferred check valves are: inline, spring assisted, center-guided, lift checks.

NIBCO® Check Valves may be installed in both horizontal and vertical lines with upward flow or in any intermediate position. They will operate satisfactorily in a declining plane (no more than 15°).

Warning – Do Not Use For Reciprocating Air Compressor Service.

♦ For detailed Operating Pressure, refer to Pressure Temperature Chart on page 114.

WARNING: This product can expose you to chemicals including lead, which is known to the State of California to cause cancer and birth defects or other reproductive harm. For more information go to www.P65Warnings.ca.gov.

Visit our website for the most current information.