

Lead-Free* Bronze Gate Valves

Features: Silicon Performance Bronze® Alloy • Screw-In Bonnet • Non-Rising Stem

Approvals: Conforms to MSS SP-139 • Solid Wedge • NSF/ANSI-61-8 Commercial Hot 180°F (includes annex F and G) and NSF/ANSI-372

Size range: 1/4" - 3"

Pressure rating: 300 PSI non-shock cold working pressure

Maximum pressure / temperature: 100 PSI at 300° F

Lead-free* markings: Double oval in body casting, white handle and blue hang tag



NSF/ANSI 61
NSF/ANSI 372



MATERIAL LIST

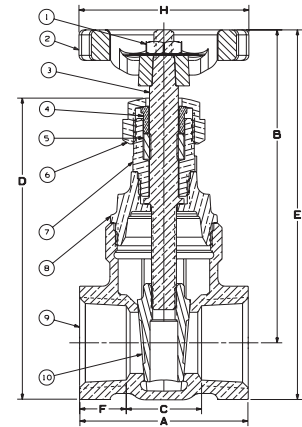
PART	SPECIFICATION
1. Handwheel Nut	300 Series Stainless Steel
2. Identification Plate	Aluminum
3. Handwheel	Malleable Iron ASTM A47 (T-113)
4. Stem	ASTM B99 Alloy C65100
5. Packing Nut	Bronze ASTM B62 or ASTM B584 Alloy C84400 or Brass ASTM B16
6. Packing Gland	Bronze ASTM B62 or ASTM B584 Alloy C84400 or Brass ASTM B16
7. Packing	Aramid Fibers with Graphite
8. Stuffing Box	Silicon Bronze ASTM B584 Alloy C87850
9. Bonnet	Silicon Bronze ASTM B584 Alloy C87850
10. Body	Silicon Bronze ASTM B584 Alloy C87850
11. Wedge	Silicon Bronze ASTM B584 Alloy C87850



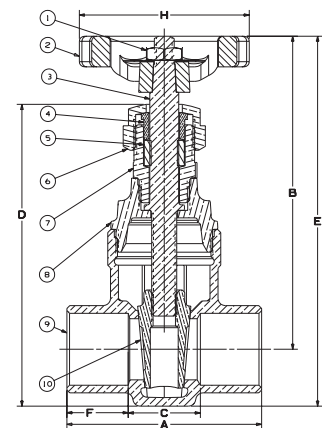
T-113-LF
Threaded



S-113-LF
Solder



T-113-LF
NPT x NPT



S-113-LF
C x C

DIMENSIONS—WEIGHTS—QUANTITIES

SIZE	A	B	C	D	E	F	H	T-113-LF		Master
In. mm.	In. mm.	In. mm.	In. mm.	In. mm.	In. mm.	In. mm.	In. mm.	Lbs.	Kg.	Ctn Qty.
1/4"	8 1.68	43 3.44	87 0.88	22 3.06	78 3.95	100 0.4	10 1.95	50 0.70	0.31	50
3/8"	10 1.68	43 3.44	87 0.84	21 3.95	100 3.95	100 0.42	11 1.95	50 0.67	0.30	50
1/2"	15 1.94	49 3.66	93 0.88	22 4.24	108 4.24	108 0.54	14 1.95	50 0.78	0.35	50
3/4"	20 2.06	52 3.94	100 0.92	23 4.64	118 4.64	118 0.57	14 1.95	50 1.00	0.48	50
1"	25 2.44	62 4.62	117 1.04	26 5.52	140 5.52	140 0.7	18 2.56	65 1.73	0.78	30
1-1/4"	32 2.62	67 5.19	132 1.21	31 6.25	159 6.25	159 0.7	18 2.56	65 2.28	1.04	20
1-1/2"	40 2.88	73 6.3	160 1.38	35 7.5	191 7.5	191 0.75	19 3.55	90 3.33	1.51	10
2"	50 3.06	78 7.09	180 1.48	38 8.59	218 8.59	218 0.79	20 3.55	90 4.68	2.13	10
2-1/2"	65 4.12	105 8.88	226 1.84	47 10.69	272 10.69	272 1.14	29 3.55	90 9.46	4.29	5
3"	80 4.5	114 10.24	260 2.1	53 12.5	318 12.5	318 1.2	30 4.23	107 13.70	6.20	4

SIZE	A	B	C	D	E	F	H	S-113-LF		Master
In. mm.	In. mm.	In. mm.	In. mm.	In. mm.	In. mm.	In. mm.	In. mm.	Lbs.	Kg.	Ctn Qty.
1/2"	15 1.76	45 3.66	93 0.75	19 3.26	83 4.16	106 0.5	13 2.08	53 0.69	0.29	50
3/4"	20 2.38	60 3.84	98 0.88	22 3.7	94 4.53	115 0.75	19 2.08	53 0.94	0.43	50
1"	25 2.82	72 4.66	118 1	25 4.57	116 5.5	140 0.91	23 2.64	67 1.50	0.68	30
1-1/4"	32 3.12	79 5.01	127 1.18	30 5.16	131 6.05	154 0.97	25 2.8	71 2.14	0.97	20
1-1/2"	40 3.42	87 6.2	157 1.24	31 6	152 7.37	187 1.09	28 3.83	97 3.01	1.37	10
2"	50 4	102 7.06	179 1.31	33 7.24	184 8.52	216 1.34	34 4.69	119 4.40	1.99	10

†No packing gland, packing only in this size.



WARNING: This product can expose you to chemicals including lead, which is known to the State of California to cause cancer and birth defects or other reproductive harm. For more information go to www.P65Warnings.ca.gov.

*Weighted average lead content ≤ 0.25%