

# Lead-Free Brass Ball Valves - Solder

**Features:** Two-Piece Body • Full Port • Blowout-Proof Stem • PTFE Seats

**Approvals:** NSF/ANSI 61-8 (includes annex F and G) • NSF/ANSI 372 • IAPMO IGC-157 • MSS SP-110

**3/8"-2" 600 PSI non-shock cold working pressure**  
**2-1/2"-3" 400 PSI non-shock cold working pressure**



## MATERIAL LIST

PART	SPECIFICATION
1. Body	Forged DZR Copper Alloy
2. End Cap	Forged DZR Copper Alloy
3. Ball Seat	PTFE
4. Ball	Stainless Steel or Chrome Plated Brass
5. Stem	Brass
6. O-Ring (Stem Seal)	Fluorocarbon (FKM)
7. Stem Packing	PTFE
8. Packing Nut	Brass
9. Lever Handle	Steel, Plated
10. Lock Washer	Stainless Steel
11. Handle Nut	Stainless Steel
12. Drain Cap*	Brass
13. Seat*	EPDM

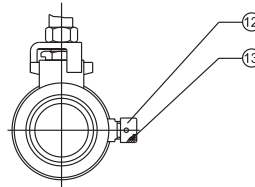
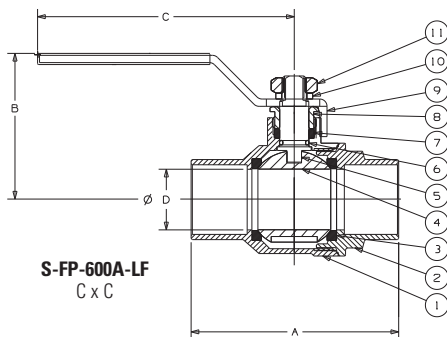
Note: \*parts 12 and 13 are applicable to valve with drain only.



**S-FP-600A-LF**



**S-FP-600AD-LF**  
w/Drain



**Handle Options:**

- Lever
- Extended lever

## DIMENSIONS—WEIGHTS—QUANTITIES

SIZE	A	B	C	D	E	F	G	J	S-FP-600A-LF		Master
In. mm.	In. mm.	In. mm.	In. mm.	In. mm.	In. mm.	In. mm.	In. mm.	In. mm.	Lbs.	Kg.	Ctn Qty.
3/8	10 1.75	44 3.74	95 1.5	38 0.5	13 1	25 1.02	26 0.37	9 4.62	117 0.30	0.14	18
1/2	15 1.97	50 3.74	95 1.78	45 0.63	16 0.97	25 1.28	33 0.5	13 4.74	120 0.44	0.20	18
3/4	20 2.73	69 3.97	101 1.94	49 0.88	22 1.23	31 1.57	40 9.75	248 5.31	135 0.66	0.30	12
1	25 3.34	85 4.33	110 2.51	64 1	25 1.53	39 1.89	48 0.91	23 6.04	153 1.10	0.50	6
1-1/4	32 3.8	97 5	127 2.57	65 1.38	35 1.87	47 2.28	58 0.96	24 6.88	175 1.57	0.71	4
1-1/2	40 4.42	112 6.18	157 3.04	77 1.63	41 2.21	56 2.78	71 1.1	28 8.38	213 2.40	1.09	2
2	50 5.34	136 6.18	157 3.34	85 2.12	54 2.66	68 3.46	88 1.34	34 8.85	225 3.37	1.53	2
2-1/2	65 6.24	158 9.45	240 4.78	121 2.63	67 3.28	83 4.29	109 1.48	38 12.6	320 7.60	3.45	3
3	75 7.11	181 9.51	242 5.17	131 3.13	80 3.81	97 4.96	126 1.65	42 13.1	333 16.85	7.64	1

SIZE	A	B	C	D	E	F	G	J	S-FP-600AD-LF		Master
In. mm.	In. mm.	In. mm.	In. mm.	In. mm.	In. mm.	In. mm.	In. mm.	In. mm.	Lbs.	Kg.	Ctn Qty.
1/2	15 1.97	50 3.74	95 1.78	45 0.63	16 0.97	25 1.78	45 0.5	13 4.74	120 0.44	0.20	18
3/4	20 2.73	69 3.97	101 1.94	49 0.88	22 1.23	31 2.09	53 0.75	19 5.31	135 0.66	0.30	12
1	50 3.34	85 4.33	110 2.51	64 1	25 1.53	39 2.40	61 0.91	23 6.04	153 1.10	0.50	6

**WARNING:** This product can expose you to chemicals including lead, which is known to the State of California to cause cancer and birth defects or other reproductive harm. For more information go to [www.P65Warnings.ca.gov](http://www.P65Warnings.ca.gov).

LEAD-FREE: Weighted average lead content ≤ 0.25%