

Bronze Ball Valves

Two-Piece Body • Full Port • Bronze Trim • Single Union Ends • Blowout-Proof Stem

600 PSI/41.4 Bar Non-Shock Cold Working Pressure
150 PSI/10.3 Bar Saturated Steam◆*

CONFORMS TO MSS SP-110

MATERIAL LIST

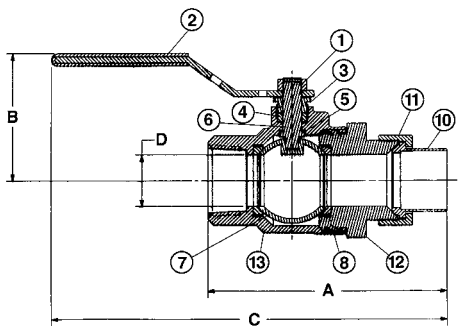
PART	SPECIFICATION
1. Handle Nut	Zinc Plated Steel
2. Handle	Zinc Plated Steel Clear Chromate Plastisol Coated
3. Threaded Pack Gland	Brass ASTM B 16 Alloy C36000
4. Packing	PTFE
5. Thrust Washer	Reinforced PTFE
6. Stem	Silicon Bronze ASTM B 371 Alloy C69300 or ASTM B 99 Alloy C65100
7. Ball	Brass ASTM B 124 Alloy C37700 or ASTM B16 Alloy C36000 EACH with Hard Chrome Plate
8. Seat Ring (2)	Reinforced PTFE
9. O-Ring	FKM
10. Tail Piece	ASTM B 124 Alloy C37700
11. Union Nut	ASTM B 124 Alloy C37700 or ASTM B 584 Alloy C84400
12. Body End	ASTM B 124 Alloy C37700
13. Body	Bronze ASTM B 584 Alloy C84400



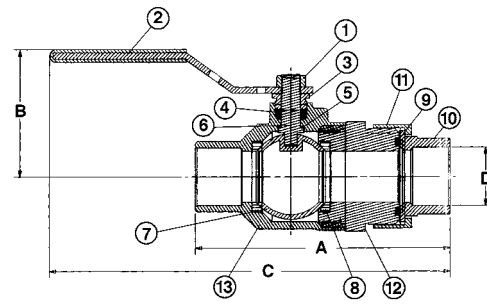
TS-585-70-SU
Threaded x Solder



ST-585-70-SU
Solder x Threaded



TS-585-70-SU
NPT x C



ST-585-70-SU
C x NPT

DIMENSIONS—WEIGHTS—QUANTITIES

Dimensions

Size	ST-585-70-SU		TS-585-70-SU		ST-585-70-SU		TS-585-70-SU		D	ST-585-70-SU		TS-585-70-SU		Master Ctn.	Qty.			
	A	B	A	B	C	C	C	D		Lbs.	Kg.	Lbs.	Kg.					
In.	mm.	In.	mm.	In.	mm.	In.	mm.	In.	mm.	In.	mm.	In.	mm.					
½	15	3.53	90	3.21	82	1.88	48	6.22	158	6.00	152	.50	132	1.21	.55	1.21	.55	40
¾	20	4.22	107	4.10	104	2.25	57	7.28	185	7.25	184	.75	19	1.84	.84	1.84	.84	20
1	25	4.86	123	4.91	125	2.38	60	7.66	195	7.83	199	1.00	25	2.91	1.32	2.91	1.32	20
1¼	32	5.79	147	5.63	143	3.00	76	9.97	253	10.23	260	1.25	32	4.39	2.00	4.39	2.00	10
1½	40	6.63	168	6.28	160	3.16	80	10.40	264	10.81	275	1.50	38	6.44	2.93	6.44	2.93	6
2	50	7.10	180	6.89	175	3.50	89	10.50	267	10.91	277	2.00	51	9.44	4.29	9.44	4.29	4

* Consult MSS SP123 for pressure temperature limitations

◆ For detailed Operating Pressure, refer to Pressure Temperature Chart on page 41.