

Bronze Ball Valves

Two-Piece Body • Full Port • 316SS Trim • Blowout-Proof Stem • ISO Direct-Mount Pad for Actuation • Vented Ball



600 PSI/41.4 Bar Non-Shock Cold Working Pressure
150 PSI/10.3 Bar Saturated Steam ◆

CONFORMS TO MSS SP-110 •
ACTUATOR MOUNT PER ISO 5211

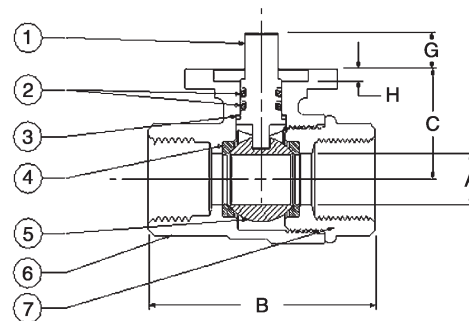
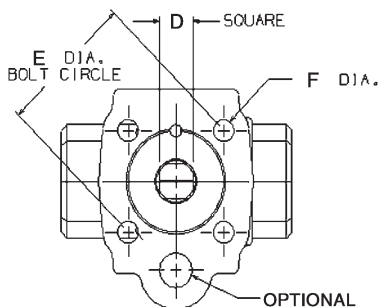
MATERIAL LIST

PART	SPECIFICATION
1. Stem	Stainless Steel ASTM A 276 Type 316
2. O-Ring (2)	Fluoroelastomer
3. Thrust Washer	Reinforced PTFE
4. Seat Ring (2)	Carbon Filled PTFE
5. Ball (Vented)	Stainless Steel ASTM A 276 Type 316 or ASTM A 351 Type CF8M
6. Body	Bronze ASTM B 584 Alloy C84400
7. Body End Piece	Bronze ASTM B 584 Alloy C84400



TM-585-70-66

Threaded
with Mounting Pads



TM-585-70-66
NPT x NPT

DIMENSIONS—WEIGHTS—QUANTITIES

Size	Flange Size	Dimensions								TM-585-70-66		Master Ctn. Qty.									
		A	B	C	D	E	F	G	H	Lbs.	Kg.										
In.	mm.	In.	mm.	In.	mm.	In.	mm.	In.	mm.	In.	mm.	In.	mm.	In.	mm.	In.	mm.				
½	15	F03	.50	13	2.43	62	1.10	28	.35	9	1.42	36	.22	5.6	.39	10	.12	3	.82	.37	50
¾	20	F03	.75	19	2.94	75	1.37	35	.35	9	1.42	36	.22	5.6	.39	10	.12	3	1.23	.56	25
1	25	F04	1.00	25	3.33	85	1.56	40	.43	11	1.65	42	.22	5.6	.47	12	.12	3	1.88	.85	20
1¼	32	F04	1.25	32	4.19	106	2.04	52	.43	11	1.65	42	.22	5.6	.47	12	.16	4	3.06	1.39	10
1½	40	F04	1.50	38	4.70	119	2.27	58	.43	11	1.65	42	.22	5.6	.47	12	.16	4	4.45	2.02	10
2	50	F05	2.00	51	5.15	131	2.50	64	.55	14	1.97	50	.27	6.8	.63	16	.16	4	6.85	3.11	6
†2½	65	F05	2.00	51	5.84	148	2.50	64	.55	14	1.97	50	.27	6.8	.63	16	.16	4	9.00	4.06	1

† NIBCO Supplies TM-580-70-66 Conventional Port Valves.

◆ For detailed Operating Pressure, refer to Pressure Temperature Chart on page 41.