

400 lb. WWP Bronze Ball Valves

Fire Protection Valve • Standard Port • Two-Piece Body •
Blowout-Proof Stem • TFE Seats

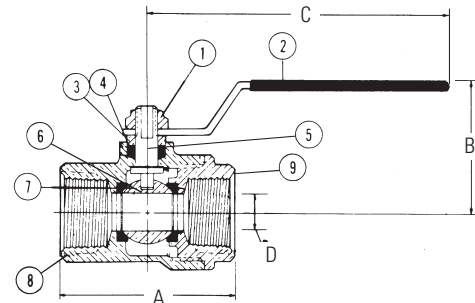
400 PSI/27.6 Bar Non-Shock Cold Water



T-580
Threaded

MATERIAL LIST

PART	SPECIFICATION
1. Handle Nut	Zinc Plated Steel
2. Handle	Zinc Plated Steel Clear Chromate Plastisol Coated
3. Packing Gland	Brass ASTM B 16 Alloy C36000
4. Packing	TFE
5. Stem	Silicon Bronze ASTM B 371 Alloy C69400 or ASTM B 16 Alloy C36000
6. Ball	Brass ASTM B 16 Alloy C36000 or ASTM B 124 Alloy C37700
7. Seat Rings	TFE
8. Body	Bronze ASTM B 584 Alloy C84400 or Brass ASTM B 124 Alloy C37700
9. Body End Piece	Bronze ASTM B 584 Alloy C84400 or Brass ASTM B 124 Alloy C37700



T-580
NPT x NPT

DIMENSIONS—WEIGHTS—QUANTITIES

Size	Dimensions								Weight	Box Qty.	Master Ctn. Qty.		
	A		B		C		D Port						
In.	mm.	In.	mm.	In.	mm.	In.	mm.	In.	mm.	Lbs.	Kg.		
½	15	2.00	51	1.56	40	3.94	100	.38	8	.57	.26	10	60
¾	20	2.28	58	1.72	44	3.94	100	.50	13	.72	.33	10	60
1	25	2.88	73	2.06	52	4.69	119	.75	19	1.25	.57	5	30
1¼	32	3.41	87	2.31	59	4.69	119	1.00	25	1.65	.79	4	40
1½	40	3.75	95	2.81	61	6.75	171	1.25	32	2.53	1.19	2	10
2	50	4.44	113	3.13	79	6.75	171	1.50	38	3.65	1.66	1	10