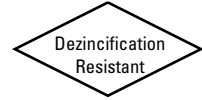


# 250 PSI WWP Bronze Ring Check® Valves

Fire Protection Valve • Inline Lift Type • Rubber Discs • Spring Actuated



**250 PSI/17.2 Bar Non-Shock Cold Working Pressure** ♦

CONFORMS TO MSS SP-80

## MATERIAL LIST

PART	SPECIFICATION
1. Body	Bronze ASTM B584 Alloy C84400
2. Stem	Stainless Steel ASTM A582 Alloy C30300
3. Spring	316 Stainless Steel
4. Disc Holder	Stainless Steel Type 301
5. Disc	Water, Oil or Gas (Buna-N) Steam (PTFE) (Y)
6. Seat Screw	Stainless Steel ASTM A276 Alloy S43000
7. Body End	Bronze ASTM B584 Alloy C84400



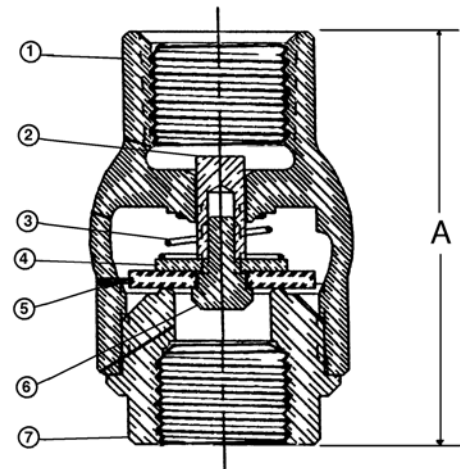
**T-480**  
Threaded

## DIMENSIONS—WEIGHTS—QUANTITIES

Size	Dimensions						T-480		Master Ctn. Qty.	
	A		B		C		In.	mm.		
In.	mm.	In.	mm.	In.	mm.	In.	mm.	In.	mm.	
3/8	10	2.00	51	1.38	35	1.44	37	0.41	0.19	100
1/2	15	2.06	52	1.38	35	1.19	30	0.36	0.16	100
3/4	20	2.25	57	1.63	41	1.31	33	0.48	0.22	100
1	25	2.63	67	2.00	51	1.50	38	0.77	0.35	50
1 1/4	32	2.94	75	2.38	60	1.69	43	1.14	0.51	30
1 1/2	40	3.31	84	2.75	70	2.00	51	1.63	0.74	30
2	50	3.69	94	3.38	86	2.31	59	2.27	1.03	10

Ordering: The T-480 has standard Buna-N Discs.

Also available with PTFE (Y) Discs; specify T-480-Y.  
3/8" thru 2" require 1/2 pound pressure to open.



**T-480**  
NPT x NPT

NIBCO check valves may be installed in both horizontal and vertical lines with upward flow or in any intermediate position.

**WARNING** - Valve must be installed downstream of receiver tank if used in line with reciprocating air compressor.

**Do Not Use** as a Footvalve.

**Warning** - Do Not Use For Reciprocating Air Compressor Service.