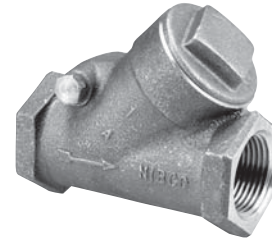


Class 300 Bronze Check Valves

Horizontal Swing • Regrinding Type • Renewable Seat and Disc • Y-Pattern

300 PSI/20.7 Bar Saturated Steam to 421° F/216° C
600 PSI/41.4 Bar Non-Shock Cold Working Pressure



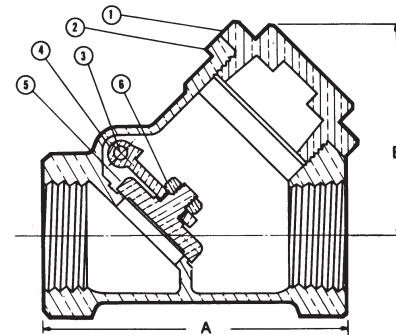
CONFORMS TO MSS SP-80

MATERIAL LIST

PART	SPECIFICATION
1. Bonnet	Bronze ASTM B 61
2. Body	Bronze ASTM B 61
3. Hinge Pin	Bronze ASTM B 140 Alloy C31400 or B 134 Alloy C23000
4. Disc Hanger	Bronze ASTM B 61 or 304 Stainless Steel 1/4" thru 3/4" sizes
5. Seat Disc	Bronze ASTM B 61 C92200 Steam (PTFE) (Y)
6. Hanger Nut	Bronze ASTM B 16
7. Hinge Pin Plug	Bronze ASTM B 140 Alloy C31400 (not shown)
8. Disc Holder	Bronze ASTM B 61
9. Disc Nut	Bronze ASTM B 62 or B 16
*10. Seat Disc Washer	ASTM B 98 Alloy C65500 (not shown) or ASTM B 103 (not shown)

* Sizes 3/4", 1", 1 1/4", 1 1/2" and 2" only.

T-473
Threaded

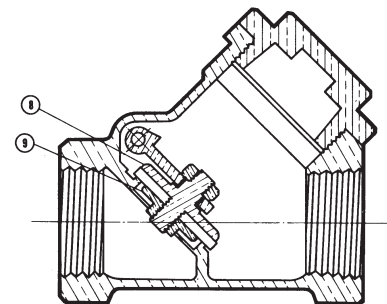


T-473-B
NPT x NPT

DIMENSIONS—WEIGHTS—QUANTITIES

Size	Dimensions				Weight		Master Ctn. Qty.	
	A		B		Lbs.	Kg.		
In.	mm.	In.	mm.	In.	mm.			
1/4	8	2.25	57	1.56	40	0.57	0.26	50
3/8	10	2.25	57	1.56	40	0.57	0.26	50
1/2	15	2.63	67	1.75	44	0.69	0.31	50
3/4	20	3.13	79	2.06	52	1.02	0.46	25
1	25	3.75	95	2.44	62	1.65	0.75	30
1 1/4	32	4.38	111	3.13	79	2.98	1.35	10
1 1/2	40	4.94	125	3.75	95	4.81	2.18	10
2	50	5.81	148	4.50	114	8.13	3.69	5

Ordering: T-473 is normally furnished with Bronze Disc (T-473-B).
Available with PTFE Steam Disc (T-473-Y).



T-473-Y
NPT x NPT

◆ For detailed Operating Pressure, refer to Pressure Temperature Chart on page 111.

NIBCO check valves may be installed in both horizontal and vertical lines with upward flow or in any intermediate position. They will operate satisfactorily in a declining plane (no more than 15°).

Warning – Do Not Use For Reciprocating Air Compressor Service.