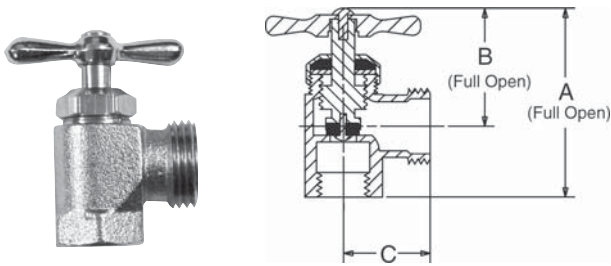


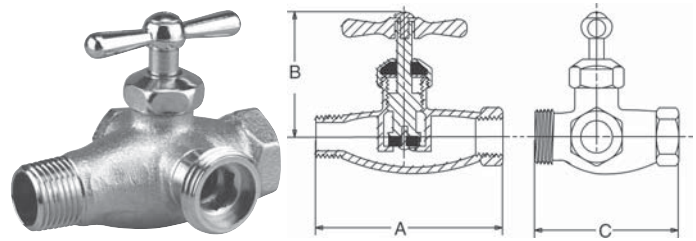
# Specialty Valves

125 lb. CWP to 100°F • Maximum Temperature 180°F



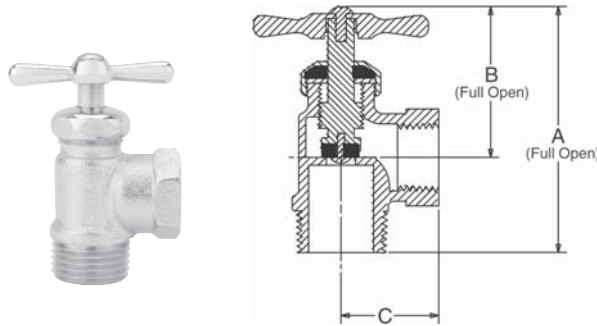
**C64F Front Operated Washing Machine Valve - Chrome Plated Brass Body**

DESCRIPTION	Size	DIMENSIONS			APPROX. NET WT.
		A	B	C	
Female x Hose	1/2	2.82"	1.94"	1.18"	.40 lb



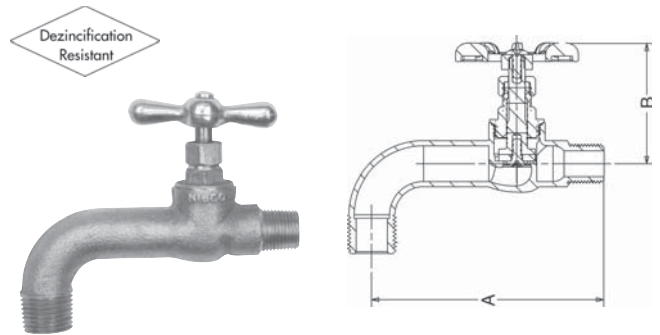
**C64R Reversible In Line Bypass - Chrome Plated Brass Body**

DESCRIPTION	Size	DIMENSIONS			APPROX. NET WT.
		A	B	C	
Male x Female to Hose	1/2	3.30"	2.36"	2.48"	.68 lb



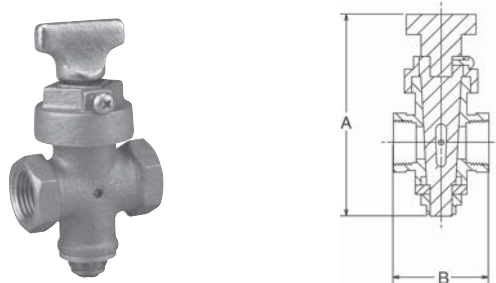
**C64T Top Operated Washing Machine Valve - Chrome Plate Brass Body**

DESCRIPTION	Size	DIMENSIONS			APPROX. NET WT.
		A	B	C	
Male to Hose	1/2	3.20"	2.08"	1.18"	.40 lb



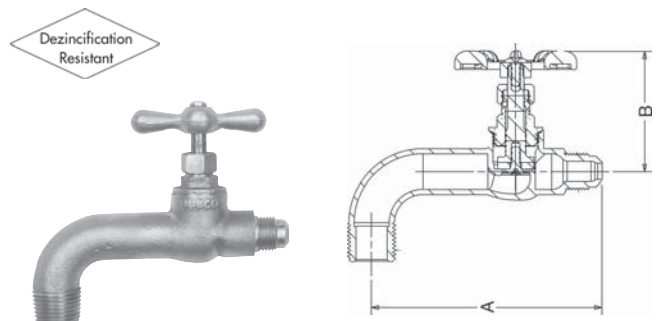
**81 Bronze Oil Tank Valve**

DESCRIPTION	Size	DIMENSIONS		APPROX. NET WT.
		A	B	
MIP x MIP MIP x SAE Flare	1/2 x 3/8	4.0"	2.0"	.000 lb



**724 Ground Key Stop & Drain Valve**

DESCRIPTION	Size	DIMENSIONS		APPROX. NET WT.
		A	B	
Female Threaded Ends	1/2	4.03"	2.14"	.90 lb
	3/4	4.09"	2.30"	1.02 lb
	2	5.41"	3.02"	1.96 lb



**82 Bronze Oil Tank Valve**

DESCRIPTION	Size	DIMENSIONS		APPROX. NET WT.
		A	B	
MIP x MIP MIP x SAE Flare	1/2 x 3/8	4.0"	2.0"	.000 lb