

# 150 PSI Butterfly Valves

Ductile Iron Body • Cartridge Liner • Lug Style

**Sizes 14", 16", 18", 20", and 24"**

Install between Std. ANSI Class 125/150 Flanges  
150 PSI bi-directional dead end service rating without  
a downstream flange

CONFORMS TO MSS-SP67 • MSS-SP25 • API-609 DESIGN

## MATERIAL LIST

PART	SPECIFICATION
1. Bottom Plate	Steel ASTM A-108 Grade 1035
2. Bolt	Steel ASTM A 307/ASTM A 307 (2 for 14"-20", 4 for 24")
3. O-Ring	Buna-N Rubber Nitrile
4. Bushing	Bronze ASTM B 584 Grade C83600/316SS
5. O-Ring (2)	Buna-N Rubber Nitrile
6. Body	Ductile Iron ASTM A 536
7. Seat	EPDM Rubber or Buna-N Rubber Nitrile
8. Disc	Alum. Brz. ASTM B-148 Alloy C95400 Ductile Iron ASTM A 536 Grade 65-45-12 (plated) Stainless Steel ASTM A 351 Grade CF8M
9. Stem	Stainless Steel ASTM A 582 Type 416 for Alum. Brz. or D.I. Discs Stainless Steel ASTM A 276 Type 431 316SS for SS Discs Stainless Steel ASTM A 276 Type 431 for 24" Size Only
10. Taper Pin (2)	Stainless Steel ASTM A 564 Type 316SS or 416SS
11. Bushing	Bronze ASTM B-584 Grade C83600 or 316SS
12. Nameplate	Aluminum
13. Bushing	Bronze ASTM B-584 Grade C83600 or 316SS
14. Key	Steel ASTM A 108 Grade 1045
15. Seat Back Ring	Phenolic Resin, Aluminum B 26 (16" & larger) 14" - 24" six set screws in backing (not shown)

## DIMENSIONS — WEIGHTS

Size	A	Min. Pipe I.D.	B	C	D	E	F	G	H	I
In. mm.	Dia.		Dia.	Dia.				Body	Seat	Dia.
14 350	13.1	13.0	14.8	17.2	14.5	1.77	26.77	3.01	3.13	1.244
16 400	15.3	15.2	17.3	19.2	15.7	2.02	29.94	3.38	3.54	1.305
18 450	17.3	17.1	19.3	21.2	16.6	2.02	31.55	4.12	4.29	1.496
20 500	19.4	18.9	21.1	23.3	18.9	2.53	35.65	5.14	5.31	1.632
24 600	23.3	23.1	25.7	32.1	22.1	2.76	42.96	5.98	6.14	1.994

## DIMENSIONS — WEIGHTS

Size	J	K	L	Q	Cap Screw Length	S	Lug Weight
In. mm.	Dia.	Dia.	Dia.	P	Dia.	Dia.	Lbs. Kg.
14 350	5.50	4.25	0.56	12	1-8UNC	18.75	121 54.9
16 400	7.75	6.25	0.81	16	1-8UNC	21.25	211 95.8
18 450	7.75	6.25	0.81	16	1½-7UNC	22.75	268 122.6
20 500	7.75	6.25	0.81	20	1½-7UNC	25.00	444 201.6
24 600	10.87	8.50	0.87	20	1¼-7UNC	29.50	594 269.7

Refer to butterfly valve technical information for bolt lengths

### LD 1000/LD 1100

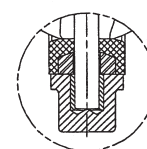
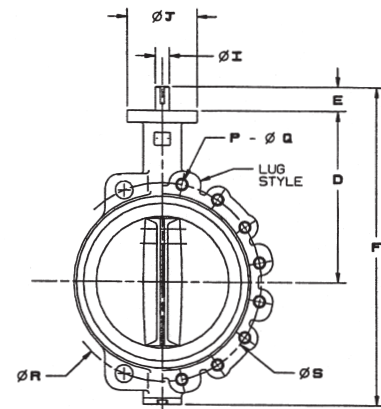
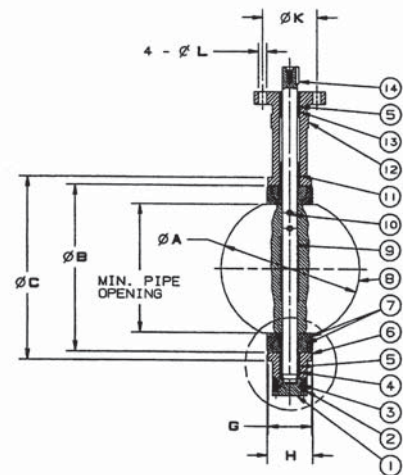
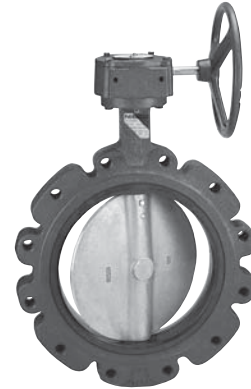
Lug Style  
EPDM or Buna-N Liner  
Aluminum Bronze Disc

### LD 1010/LD 1110

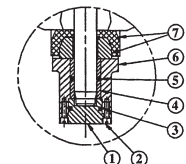
Lug Style  
EPDM or Buna-N Liner  
Ductile Iron Disc

### LD 1022/LD 1122

Lug Style  
EPDM or Buna-N Liner  
Stainless Steel Disc



14" Reference



16"-24" Reference

NOT RECOMMENDED  
FOR STEAM SERVICE