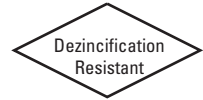


175 PSI WWP Bronze Globe Valves

Fire Protection Valve • Screw-in Bonnet • Integral Seat • Renewable Disc



175 PSI/12.1 Bar Non-Shock Cold Water

CONFORMS TO MSS SP-80 • UL LISTED*

MATERIAL LIST

| PART | SPECIFICATION |
|-------------------------|--|
| 1. Handwheel Nut | 300 Series Stainless Steel |
| 2. Identification Plate | Aluminum |
| 3. Handwheel | Aluminum Commercial Alloy 380 |
| 4. Stem | Silicon Bronze ASTM B 371 Alloy C69430 |
| 5. Packing Gland | Bronze ASTM B 62 or ASTM B 584 Alloy C84400 or ASTM B-282 or ASTM B 16 |
| 6. Packing Nut | Bronze ASTM B 62 or ASTM B 584 Alloy C84400 or ASTM B 16 |
| 7. Packing | Non Asbestos Aramid Fibers w/Graphite |
| 8. Bonnet | Bronze ASTM B 62 |
| 9. Disc Holder Nut | Bronze ASTM B 140 Alloy C31400 or B 62 |
| 10. Disc Holder | Bronze ASTM B 62±/ ASTM B 9 Alloy C65100 w/SS Washer |
| 11. Seat Disc | Nitrile (W) (1 1/4" - 2") PTFE (Y) (2 1/2" - 3") |
| ±12. Disc Nut | Bronze ASTM B 62/ASTM 89 Alloy C65100 w/SS Washer |
| 13. Body | Bronze ASTM B 62 |

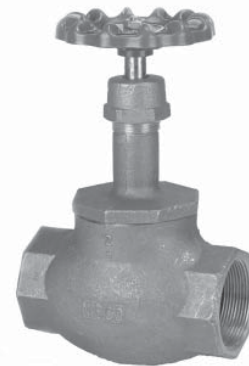
± 2 1/2" and 3" size only.

DIMENSIONS—WEIGHTS—QUANTITIES

| Size | Dimensions | | | | Weight | | Box Qty. | Master Ctn. Qty. |
|------------|------------|-----|-------|-----|--------|-------|----------|------------------|
| | A | | B | | Lbs. | Kg. | | |
| In. mm. | In. | mm. | In. | mm. | | | | |
| 1 1/4 32 | 4.31 | 110 | 6.13 | 156 | 3.55 | 1.61 | 2 | 10 |
| 1 1/2 40 | 4.69 | 119 | 7.19 | 183 | 5.50 | 2.49 | 2 | 10 |
| 2 50 | 5.38 | 143 | 7.94 | 202 | 8.25 | 3.75 | 2 | 6 |
| **2 1/2 65 | 6.63 | 168 | 10.19 | 259 | 15.40 | 7.00 | 1 | 2 |
| **3 80 | 7.75 | 197 | 11.19 | 284 | 22.44 | 10.20 | 1 | 2 |

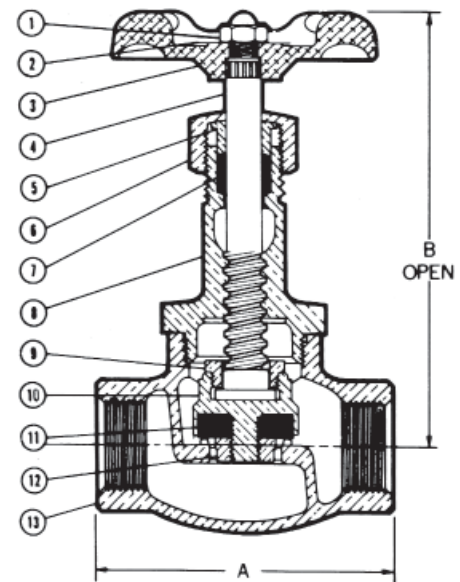
*UL Listed for Trim and Drain use – sizes 1 1/4", 1 1/2", 2".

**Sizes 2 1/2" and 3" supplied as T-211-Y with PTFE seat disc.



KT-211-W-UL

Threaded



KT-211-W-UL

NPT x NPT

