

Gas Valve

GBV — Tamper Proof, Flare x FIP, Lever Handle

- 1/2 PSI for indoor appliance connections per ANSI Z21.15 & CGA 9.2
- 5 PSI for indoor shut-off per ASME B 16.44, CGA 9.1, 9.2, and CR91-002

MATERIAL LIST

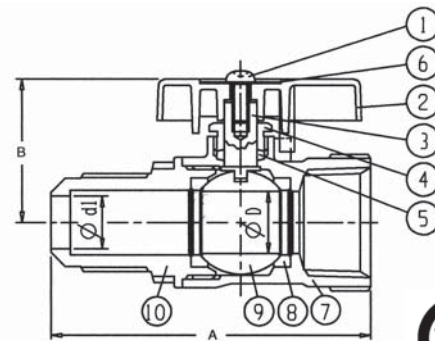
PART	SPECIFICATION
1. Screw	Steel AISI-1010
2. Handle	Zinc B86
3. Stem	Brass B16-C36000
4. Stem Gland Screw	Brass B16-C36000
5. Gland Packing	PTFE
6. Name Plate	Aluminum B209-1100
7. Body	Forged Brass B124-C37700
8. Ball Seat	PTFE
9. Ball	Brass B16-C36000
10. End Piece	Forged Brass B124-C37700

DIMENSIONS—WEIGHT

Item	Size	Dim. A	Dim. B	Dim. D	Dim. d1	Weight
GBV 3812	3/8" Flare x 1/2" Female	2.44	1.22	.39	.28	.35
GBV12	1/2" Flare x 1/2" Female	2.52	1.22	.39	.39	.44
GBV 1516	5/8" Flare x 3/4" Female w/15/16-16 Flare Thread	3.03	1.38	.59	.50	.58
GCH	3/8" Flare x 1/2" Female w/9/16-24 Fine Flare Thread	2.44	1.22	.39	.28	.35



GBV/GCH



GBV/GCH



GBV 38FL/GBV12FL — Flare x Flare, Lever Handle

- 1/2 PSI for indoor appliance connections per ANSI Z21.15 & CGA 9.2
- 5 PSI for indoor shut-off per ASME B16.44, CGA 9.1, 9.2, and CR91-002

MATERIAL LIST

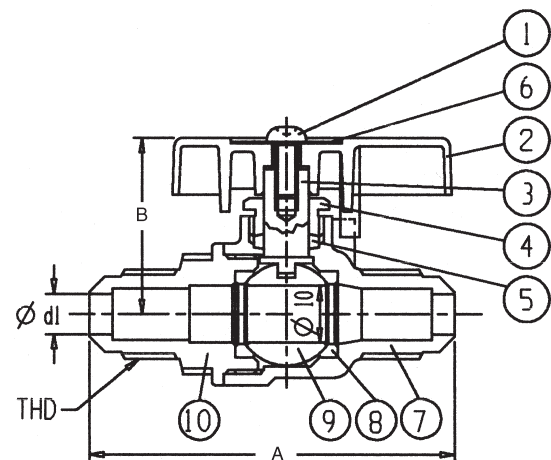
PART	SPECIFICATION
1. Screw	Steel AISI-1010
2. Handle	Zinc B86
3. Stem	Brass B16-C36000
4. Stem Gland Screw	Brass B16-C36000
5. Gland Packing	PTFE
6. Name Plate	Aluminum B209-1100
7. Body	Forged Brass B124-C37700
8. Ball Seat	PTFE
9. Ball	Brass B16-C36000
10. End Piece	Forged Brass B124-C37700

DIMENSIONS—WEIGHT

Item	Size	Dim. A	Dim. B	Dim. D	Dim. d1	Weight
GBV 38FL	3/8" Flare	2.52	1.22	.39	.28	.32
GBV12FL	1/2" Flare	2.64	1.22	.39	.39	.36



GBV38FL/GB12FL



GBV38FL/GB12FL

