

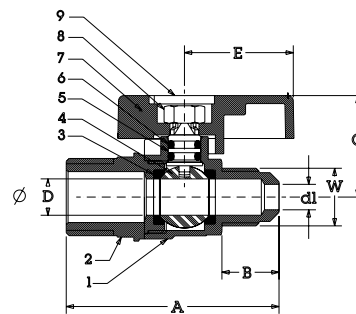
Gas Ball Valve

GBVA38M/GBVA12M — Flare x MPT, Lever Handle

- CSA Certified to ½ PSI for indoor appliance connections per ANSI Z21.15/CSA 9.1
- 5 PSI for indoor shut-off per ASME B16.44 and CGA CR91-002

MATERIAL LIST

PART	SPECIFICATION
1. Body	Forged Brass ¹ CU>57%
2. End Piece	Forged Brass ¹ CU>57%
3. Seat	PTFE, Glass Reinforced
4. Ball	Brass, Chrome Plated
5. Stem	Brass
6. O-Ring	Aluminum
7. Handle	Aluminum, Painted Roo
8. Nut	Steel, Plated
9. ID Plate	Aluminum



DIMENSIONS—WEIGHT

Size (In.)	A	B	C	d ¹	D	E	W	Wgt
¾	2.35	.62	1.14	.28	.39	1.19	¾-18 UNF	.34
½	2.47	.75	1.14	.39	.39	1.19	¾-16 UNF	.36

Note: ¹ For Material Certification, contact NIBCO Technical Services.

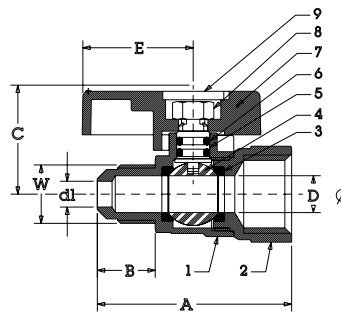


GBVA — Flare x FPT, Lever Handle

- CSA Certified to ½ PSI for indoor appliance connections per ANSI Z21.15/CSA 9.1
- 5 PSI for indoor shut-off per ASME B16.44 and CGA CR91-002

MATERIAL LIST

PART	SPECIFICATION
1. Body	Forged Brass ¹ CU>57%
2. End Piece	Forged Brass ¹ CU>57%
3. Seat	PTFE, Glass Reinforced
4. Ball	Brass, Chrome Plated
5. Stem	Brass
6. O-Ring	Nitrile
7. Handle	Aluminum, Painted Red
8. Ball Seat	PTFE
9. Nut	Steel, Plated
10. ID Plate	Aluminum



DIMENSIONS—WEIGHT

Size (In.)	A	B	C	d ¹	D	E	W	Wgt
¾	2.13	.62	1.14	.28	.39	1.19	¾-18 UNF	.35
½	2.25	.75	1.14	.39	.39	1.19	¾-16 UNF	.44

Note: ¹ For Material Certification, contact NIBCO Technical Services.

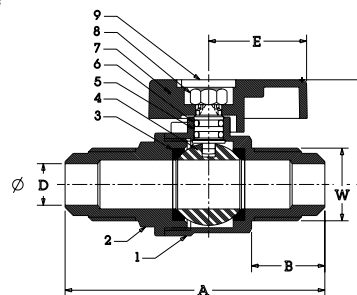


GBVA38FL/GBVA12FL — Flare x Flare, Lever Handle

- CSA Certified to ½ PSI for indoor appliance connections per ANSI Z21.15/CSA 9.1
- 5 PSI for indoor shut-off per ASME B16.44 and CGA CR91-002

MATERIAL LIST

PART	SPECIFICATION
1. Body	Forged Brass ¹ CU>57%
2. End Piece	Forged Brass ¹ CU>57%
3. Seat	PTFE, Glass Reinforced
4. Ball	Brass, Chrome Plated
5. Stem	Brass
6. O-Ring	Nitrile
7. Handle	Aluminum, Painted Red
8. Ball Seat	PTFE
9. Nut	Steel, Plated
10. ID Plate	Aluminum



DIMENSIONS—WEIGHT

Size (In.)	A	B	C	D	E	W	Wgt
¾	2.37	.62	1.14	.28	1.19	¾-18 UNF	.36
½	2.62	.75	1.14	.39	1.19	¾-16 UNF	.47

Note: ¹ For Material Certification, contact NIBCO Technical Services.

