

# Gas Ball Valve

## GB30 — Female x Female, Tee Handle

- 1/2 PSI for indoor appliance connections per ANSI Z21.15 & CGA 9.2
- 5 PSI for indoor shut-off per CGA 91-002 and ASME B16.44
- 400 PSI CWP Rated

### MATERIAL LIST

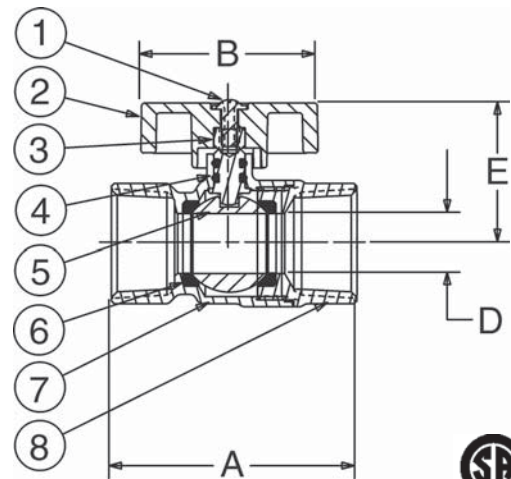
PART	SPECIFICATION
1. Screw	Steel, Plated
2. Handle	Painted Aluminum
3. Stem	Brass ASTM B 16 alloy C36000
4. O-Rings (2)	Fluorocarbon (FKM)
5. Ball	Chrome Plated Brass ASTM B 16 Alloy C36000
6. Seat Ring	TFM - 15% Glass Filled
7. Body	Forged Brass ASTM B 283 Alloy C37700
8. Body End Piece	Forged Brass ASTM B 283 Alloy C37700

### DIMENSIONS—WEIGHT

Size	Dim. A	Dim. B	Dim. D	Dim. E	Weight
1/2"	2.33	1.75	0.38	0.44	.35
3/4"	2.45	1.75	0.50	0.59	.46



GB30



GB30



## GBV 38M/GBV12M — Flare x Male, Lever Handle

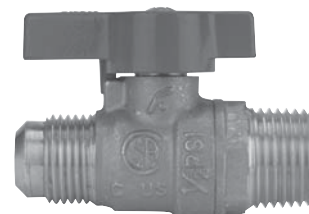
- 1/2 PSI for indoor appliance connections per ANSI Z21.15 & CGA 9.2
- 5 PSI for indoor shut-off per ASME B16.44, CGA 9.1, 9.2, and CR91-002

### MATERIAL LIST

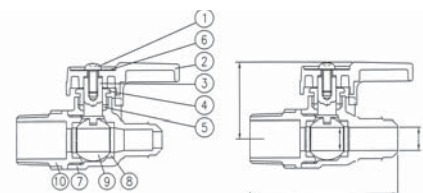
PART	SPECIFICATION
1. Screw	Steel AISI-1010
2. Handle	Zinc B86
3. Stem	Brass B16-C36000
4. Stem Gland Screw	Brass B16-C36000
5. Gland Packing	PTFE
6. Name Plate	Aluminum B209-1100
7. Body	Forged Brass B124-C37700
8. Ball Seat	PTFE
9. Ball	Brass B16-C36000
10. End Piece	Forged Brass B124-C37700

### DIMENSIONS—WEIGHT

Item	Size	Dim. A	Dim. B	Dim. D	Weight
GBV 38M	3/8" Flare x 1/2" Male	2.44	1.3	.28	.33
GBV12M	1/2" Flare x 1/2" Male	2.48	1.3	.39	.35



GB38M/GB12M



GB38M/GB12M

